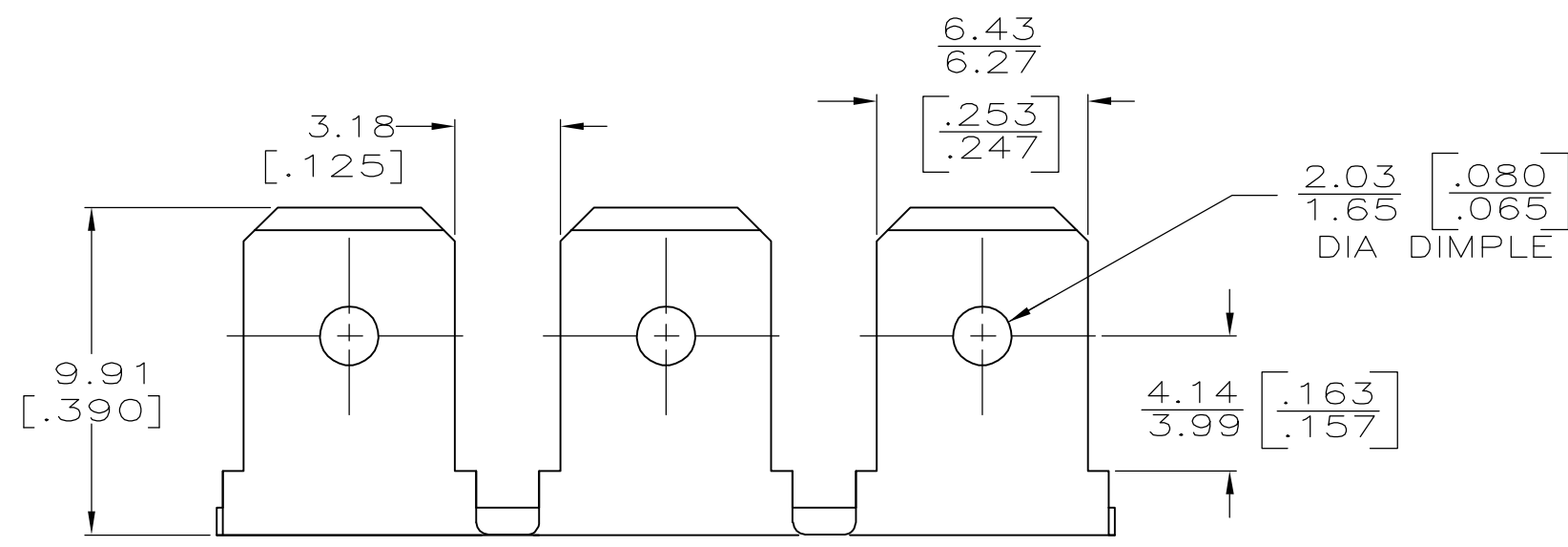
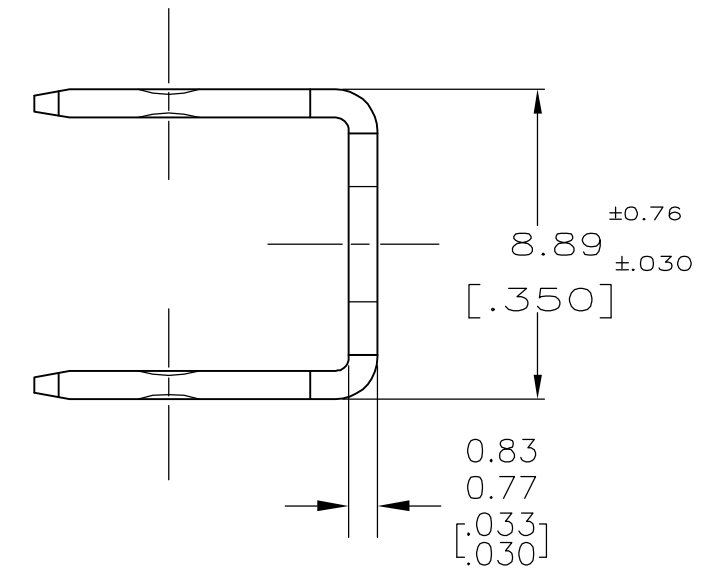
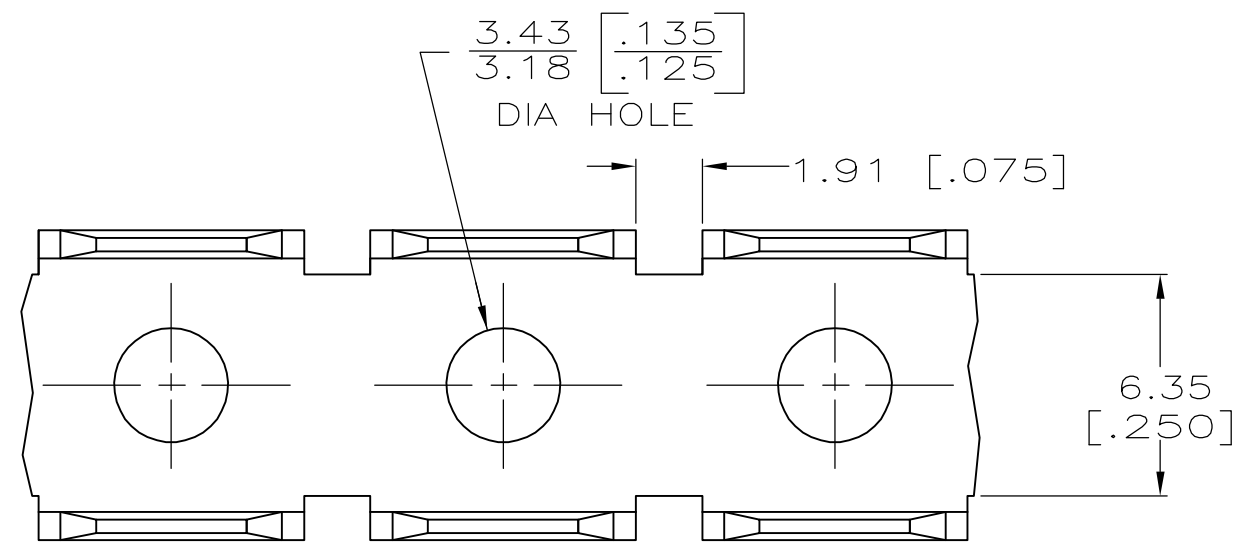


LOC	DIST	REVISIONS					
AF	50	P	LTR	DESCRIPTION	DATE	DWN	APVD
			AM	REV PER ECR-05-017287	06APR06	HMR	JR

1 CONTINUOUS STRIP ON REELS.



-	42115-6
TIN	42115-4
FINISH	PART NO

THIS DRAWING IS A CONTROLLED DOCUMENT.		DWN	JR RUTH	12/2/91	 Tyco Electronics Corporation Harrisburg, PA 17105-3608
DIMENSIONS: mm [INCHES]		CHK	MS FEHER	12/2/91	
		APVD	MEYERS	12/2/91	
TOLERANCES UNLESS OTHERWISE SPECIFIED:		PRODUCT SPEC		NAME	
0 PLC ± - 1 PLC ± - 2 PLC ± - 3 PLC ± 0.38 [.015] 4 PLC ± - ANGLES ± -		APPLICATION SPEC		TAB, FASTON, 6.35 [.250] SERIES	
MATERIAL	082 BRASS	FINISH	SEE TABLE	WEIGHT	-
		SIZE	A3	CAGE CODE	00779
		DRAWING NO	C=42115		RESTRICTED TO
		CUSTOMER DRAWING		SCALE	5:1
		SHEET		1 of 1	REV
					AM